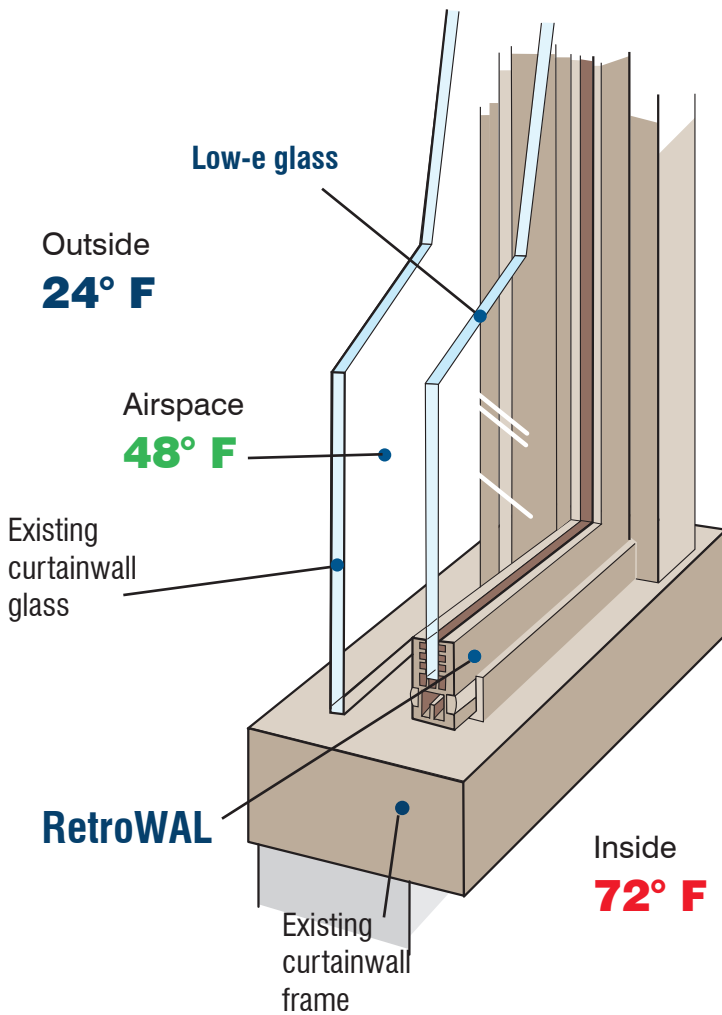


RetroWAL™ INTERIOR CURTAINWALL RETROFITS

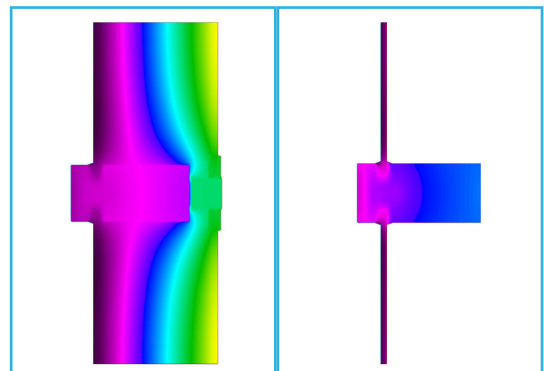
Thermolite's patented Window Attachment Lite (WAL) installs on the interior of existing curtainwall or storefront windows to deliver superior performance and appearance at a fraction of the cost of replacement.

FEATURES

- ✓ Low weight for hi-rise curtainwall applications
- ✓ Between-glass blinds lower solar heat gain in the summer and raise it in the winter
- ✓ Easily attaches to fixed, storefront and curtainwall framework with no mechanical fasteners in minutes
- ✓ All aluminum construction- custom colors and contours
- ✓ Sound control window systems available at STC 49
- ✓ Hurricane and Blast mitigation options without effecting sightlines
- ✓ Made in the USA – Veteran Owned
- ✓ No disruption to existing tenants
- ✓ 20% energy savings in typical installations



Thermal images of window with RetroWAL (left) and without RetroWAL (right) at MULLION condition.



THERMOLITE 
WINDOW SYSTEMS

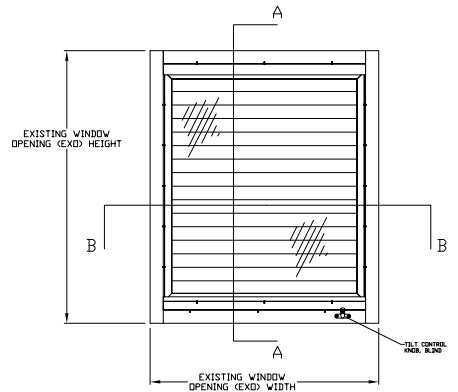
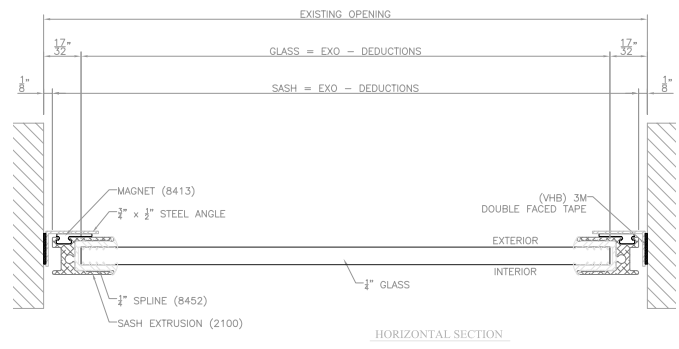
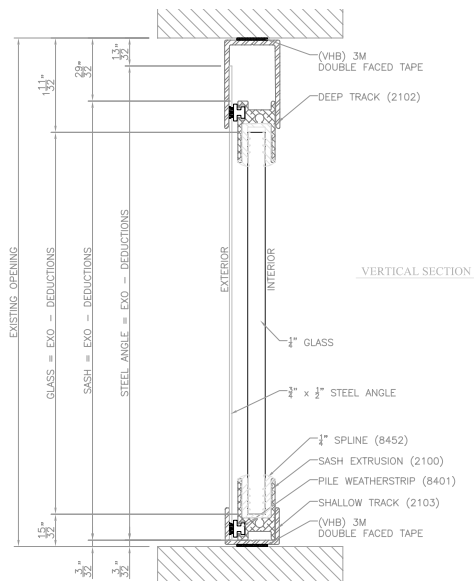
635 South Lafayette Boulevard | Phone: 574.234.4004
South Bend, Indiana 46601 | Fax: 574.234.4005
www.RetroWAL.com

RetroWAL™

INTERIOR CURTAINWALL RETROFITS

TEST* (Independent Third-Party Testing, Detailed Information Available Upon Request)	BEFORE Single Glazed Window	AFTER Single Glazed Window + THERMOLITE
Thermal Transmittance U-Value Conduction	1.03	.14 to .37
Shading Coefficient Solar Heat Gain	0.82	.16 to .66
Air Infiltration (15 mph) Air Infiltration (25 mph)	0.28 cfm/sq. ft. 0.50 cfm/sq. ft.	0.01 cfm/sq. ft. 0.04 cfm/sq. ft.
Sound Transmission Class	26	49
Blast Resistancy	Performance Condition 5 (failure)	Up to Performance Condition 1

*All numbers are calculated using LBNL Window 6.3 program. All numbers are calculated with and without blinds in between glass.



635 South Lafayette Boulevard | Phone: 574.234.4004
 South Bend, Indiana 46601 | Fax: 574.234.4005
www.RetroWAL.com